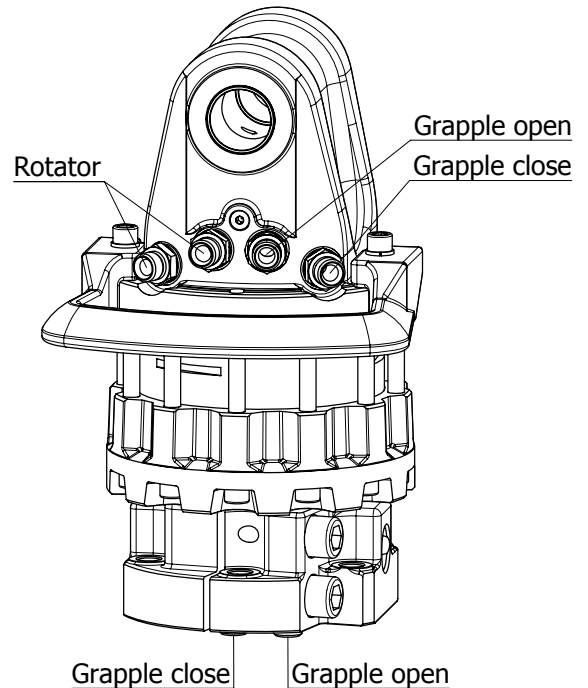
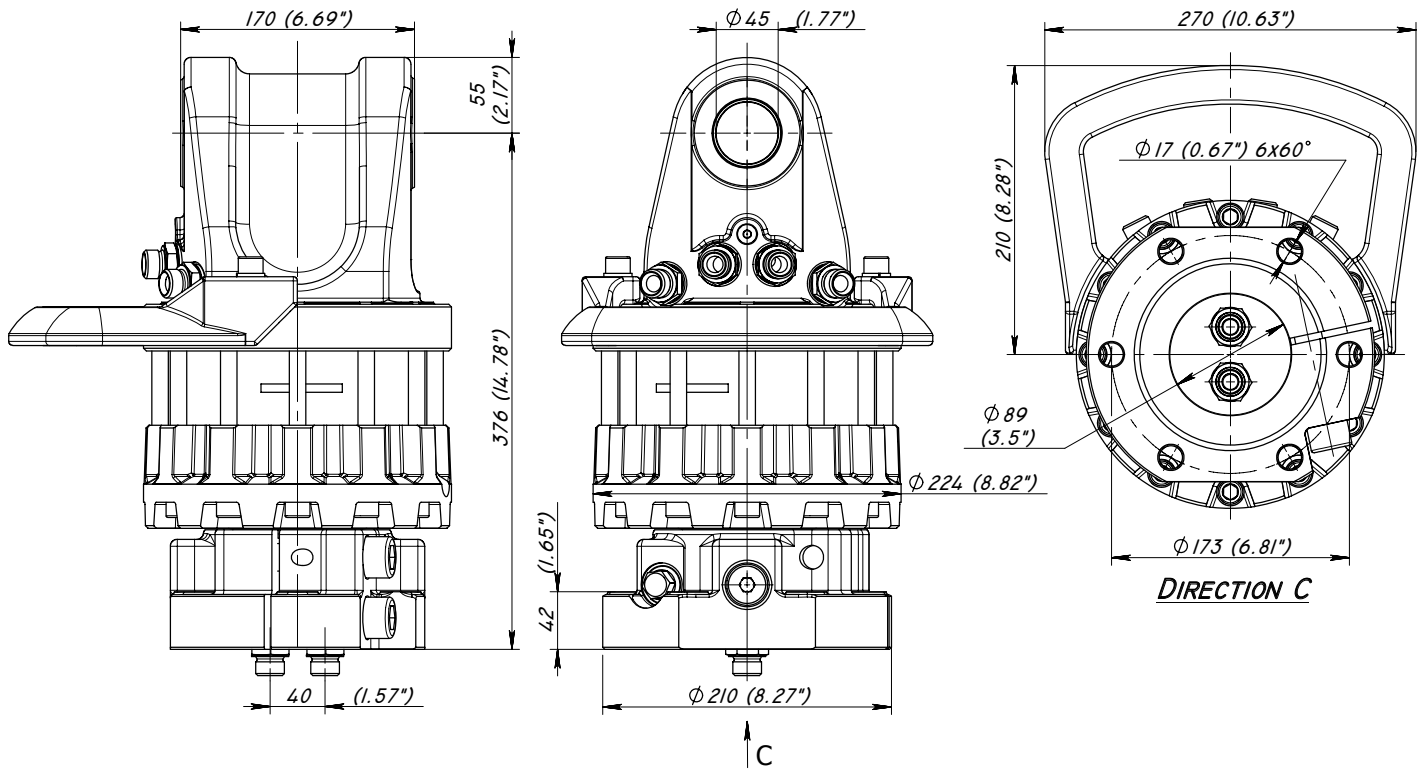


# ROTATOR GR 16 P



## Technical data

Rotation	Unlimited
Max axial load static, KN (lbf)	+160 (35976) - 90 (20236)
Max axial load dynamic, KN (lbf)	+80 (17988) - 45 (10118)
Torque at 25Mpa (3625psi), Nm (lb ft)	3500 (2581)
Rec oilflow, l/min (US gallon)	40 (10.6)
Weight, kg (lb)	76 (167)

### Max working pressure:

Rotator	$\leftarrow R \rightarrow$ Max 25 MPa (3625 psi)	G 1/2"
Grapple / Tool open	$\leftarrow G \rightarrow$ Max 30 MPa (4350 psi)	G 1/2"
Grapple / Tool close	$\rightarrow G \leftarrow$ Max 30 MPa (4350 psi)	G 1/2"

### Connection:

2007.12.12.



**Eurograb Rotators**  
**Kobaltstraat 21, 1411 AM Naarden**  
**Tel: 0031 (0) 6 53 536 381 - 0031 (0) 6 11 320 757**  
**www.eurograb.nl info@eurograb.nl**