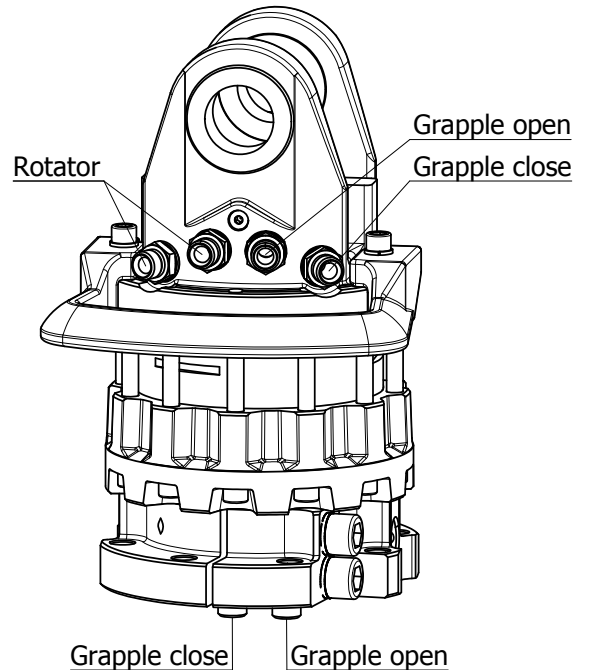
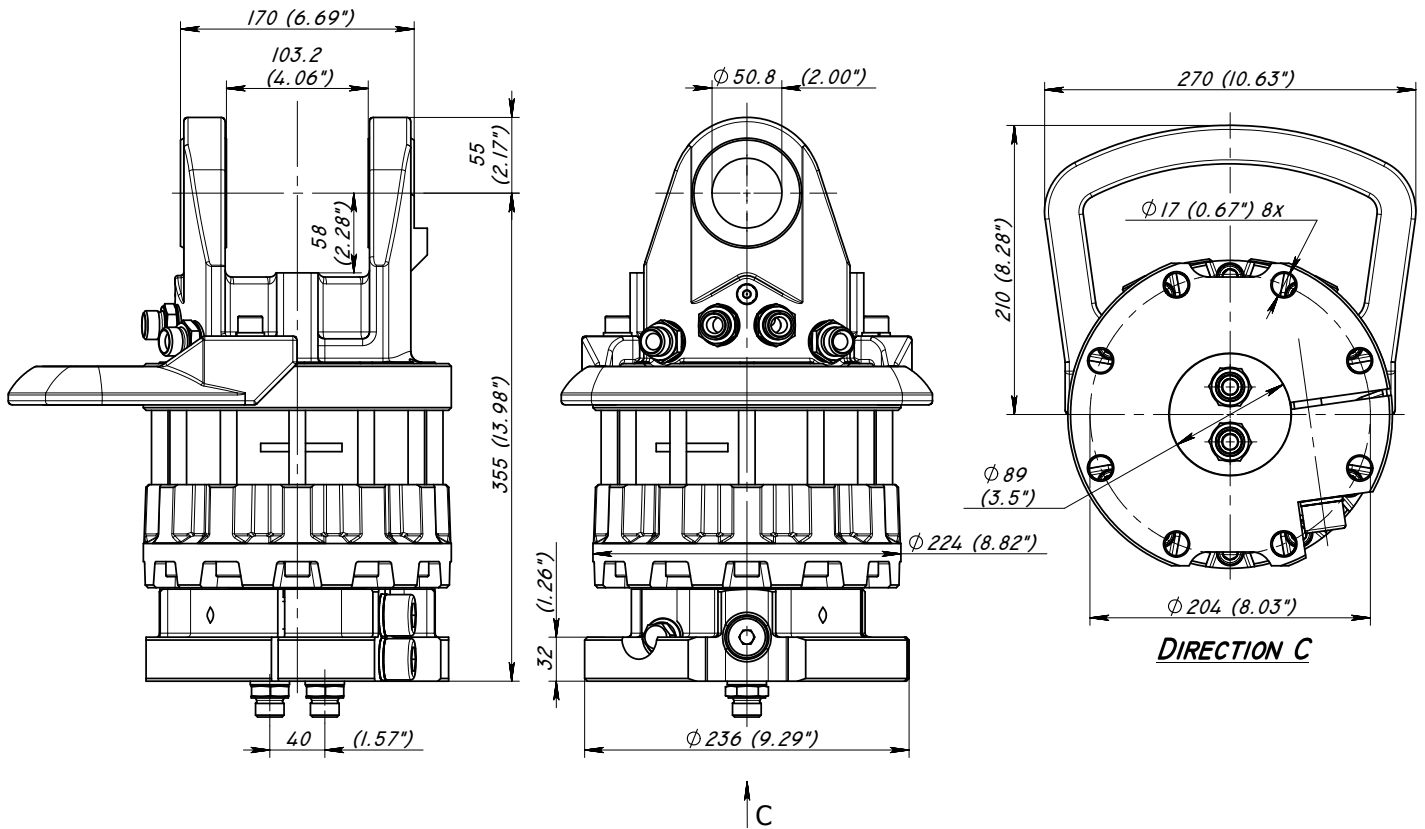


# ROTATOR GR 12 A8



## Technical data

Rotation	Unlimited
Max axial load static, KN (lbf)	+120 (26982) - 90 (20236)
Max axial load dynamic, KN (lbf)	+60 (13491) - 45 (10118)
Torque at 25Mpa (3625psi), Nm (lb ft)	2900 (2139)
Rec oilflow, l/min (US gallon)	35 (9.25)
Weight, kg (lb)	70 (155)

### Max working pressure:

Rotator	←R→	Max 25 MPa (3625 psi)
Grapple / Tool open	←G→	Max 30 MPa (4350 psi)
Grapple / Tool close	→G←	Max 30 MPa (4350 psi)

### Connection:

G 1/2"
G 1/2"
G 1/2"

2007.12.11.



**Eurograb Rotators**  
**Kobaltstraat 21, 1411 AM Naarden**  
**Tel: 0031 (0) 6 53 536 381 - 0031 (0) 6 11 320 757**  
**www.eurograb.nl info@eurograb.nl**