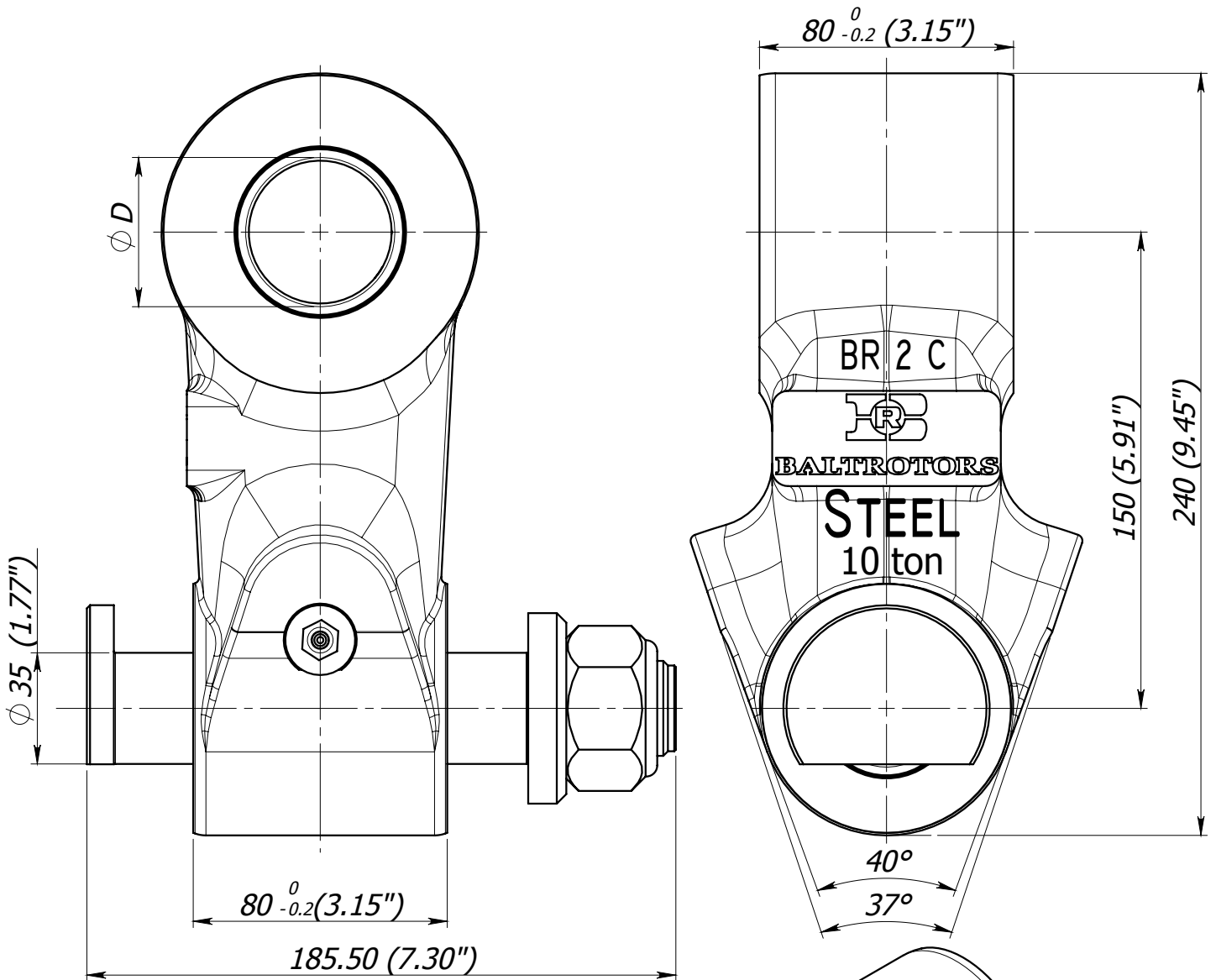
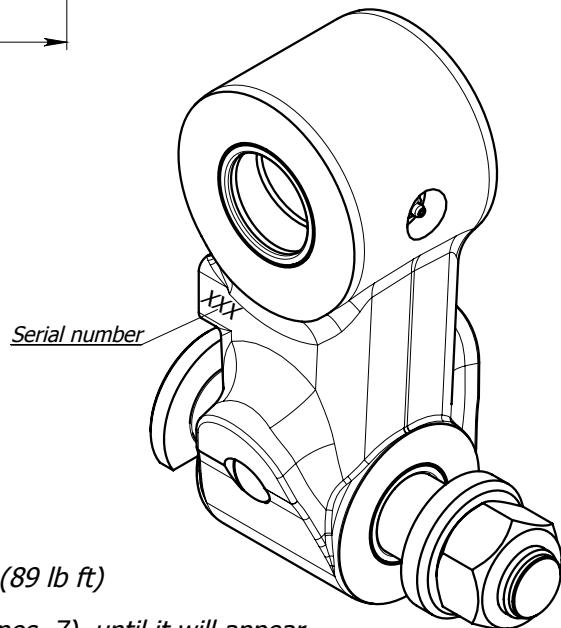


LINK BR 2 C



Crane nose pivot pin diameter ϕD (mm)	Link
45 (1.77")	BR 2 C/45
40 (1.57")	BR 2 C/40
35 (1.38")	BR 2 C/35
30 (1.18")	BR 2 C/30
25 (0.98")	BR 2 C/25



* Pin locking nut is tightened with a torque of 120 Nm (89 lb ft)

* Weight - 12.5±0.5 kg (27.55± 1.10 lb)

* Fill grease Starplex EP 2, through lubricating nipple (pos. 7), until it will appear to the external surfaces. Greasing must be repeated after every 8 working hours of the link.



Eurograb Rotators

Kobaltstraat 21, 1411 AM Naarden

Tel: 0031 (0) 6 53 536 381 - 0031 (0) 6 11 320 757

www.eurograb.nl

info@eurograb.nl